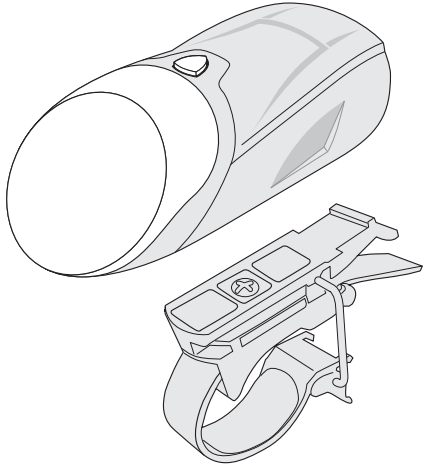
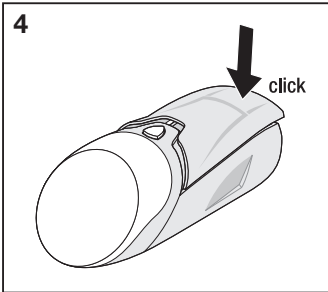
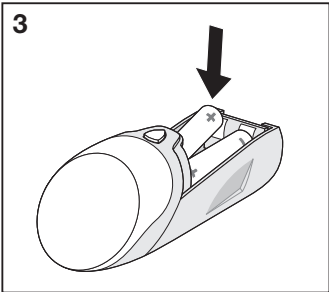
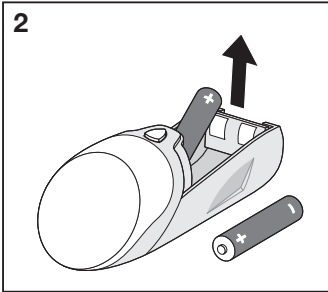
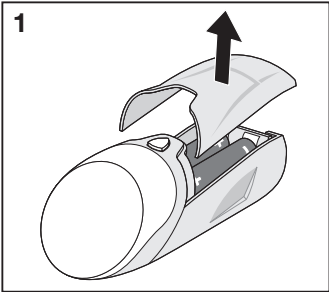


# LEDsBIKE® FX35



[www.osram.com/guarantee](http://www.osram.com/guarantee)

OSRAM GmbH  
Steinerne Furt 62  
86167 Augsburg  
Germany  
[www.osram.com](http://www.osram.com)



C10538993  
G10539429  
24.09.14

✂ **GUARANTEE** ([www.osram.com/guarantee](http://www.osram.com/guarantee))

NAME \_\_\_\_\_

ADDRESS \_\_\_\_\_

PRODUCT NAME, MODEL \_\_\_\_\_

DATE OF PURCHASE \_\_\_\_\_



