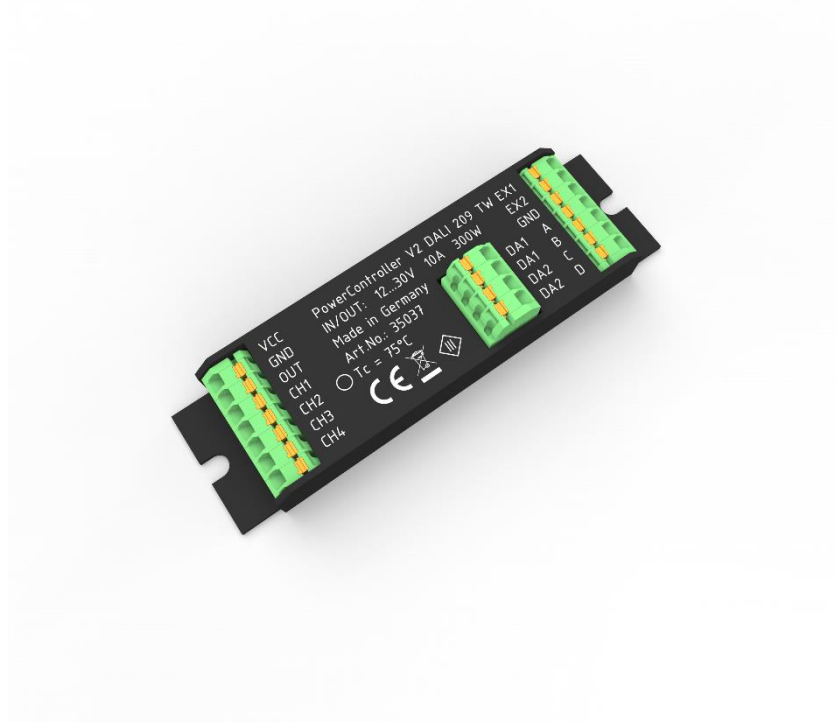


OPERATING INSTRUCTIONS

PowerController V2



IMPORTANT

- Switch off the input voltage before installation, maintenance or modification work and secure it against being switched on again unintentionally.
- Ensure that the wires are assembled professionally and properly and comply with the norm specifications of your country.
- The PowerController V2 is intended exclusively for use in professional lighting solutions.
- To comply with the EN61347-1 and EN61347-2-13 norms, power supply units that comply with these norms must be used.
- The device is designed for use in a dry location.
The output voltage specified on the type label must not be exceeded.

Please find the complete datasheet and more information about the PowerController V2 on our website: www.leds.de/32118

STANDARD CONFIGURATION 1

Input: 4 x switch

Output: 4 x LED module single colour

Flashing

Before putting the device into service, take off the case and plug on the programming adapter [article number 38832 on www.leds.shop] Connect the PowerController V2 with your computer via a USB-C cable [article number 32035].

The flasher-LED aligns as soon as the PowerController V2 is connected with the computer. The target LED aligns when the PowerController V2 is successfully connected with the power supply [VCC/GND]. Open file „Standard configuration 1“ and pay attention to the appearing dialogue.

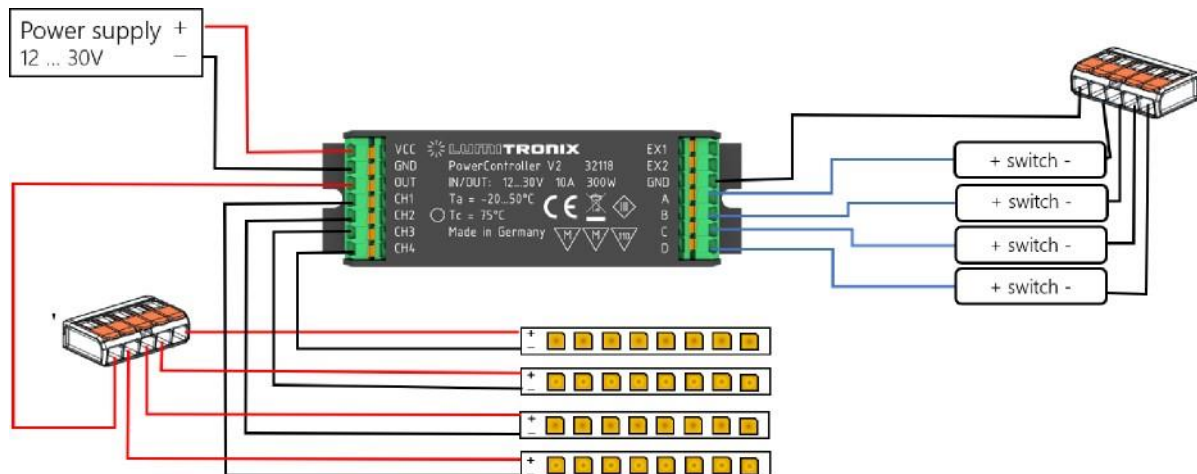
Put the case back on before going on with the connection.

Connection

All 4 inputs [A — D] are connected with the switches' positive leads.

The switches' negative leads are merged on the GND input using the terminal [article number 33736 on www.lumitronix.com/en_gb/].

The outputs [CH1 — CH4] are each connected with the negative leads of the single-coloured LED modules. Using the terminal, the positive leads of the LED modules are merged on „OUT“. The operating voltage is fed in via „GND“ and „VCC“.



Functionality

The LED modules can be turned on and off using the switches on the inputs A — D. When held down for a longer time, the light will be dimmed.

STANDARD CONFIGURATION 2

Input: 4 x potentiometer (100 k Ω)

Output: 4 x LED module single colour

Flashing

Before putting the device into service, take off the case and plug on the programming adapter [article number 38832 on www.leds.shop].

Connect the PowerController V2 with your computer via a USB-C cable [article number 32035].

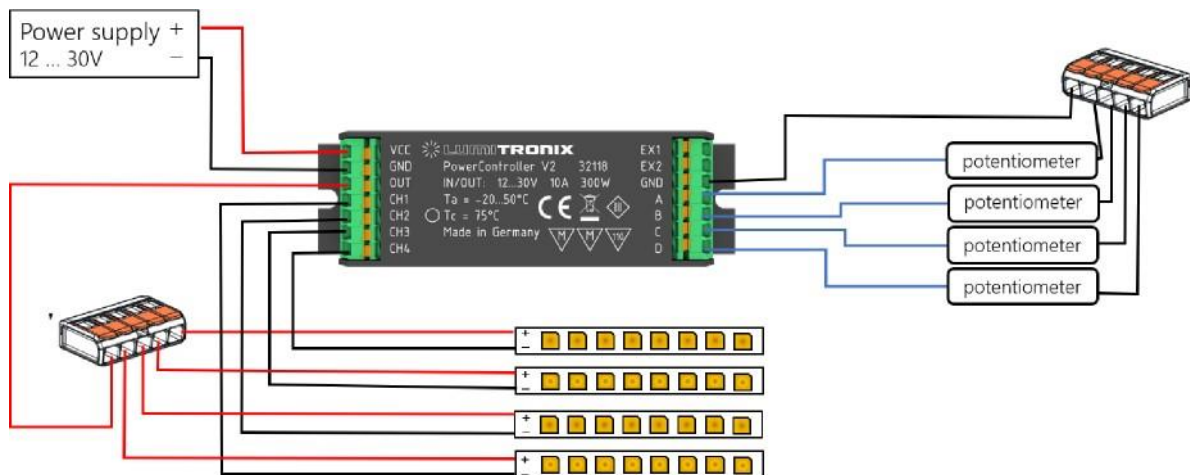
The flasher-LED aligns as soon as the PowerController V2 is connected with the computer. The target LED aligns when the PowerController V2 is successfully connected with the power supply [VCC/GND]. Open file „Standard configuration 2“ and pay attention to the appearing dialogue.

Put the case back on before going on with the connection.

Connection

All 4 inputs [A - D] are connected with the potentiometers' positive leads. The negative leads of the potentiometers are merged on the GND input using the terminal [article number 33736 on www.lumitronix.com/en_gb/].

The outputs [CH1 — CH4] are each connected with the negative leads of the single-coloured LED modules. Using the terminal, the positive leads of the LED modules are merged on „OUT“. The operating voltage is fed in via „GND“ and „VCC“.



Functionality

The brightness of the LED modules can be adjusted from 0 — 100% using the assigned potentiometer.

STANDARD CONFIGURATION 3 [-PREINSTALLED-]

Input: 4 x switch

Output: 2 x LED module Tunable White

Note: This configuration is pre-installed as factory default on the PowerController V2.

Flashing

Before putting the device into service, take off the case and plug on the programming adapter [article number 38832 on www.leds.shop].

Connect the PowerController V2 with your computer via a USB-C cable [article number 32035].

The flasher-LED aligns as soon as the PowerController V2 is connected with the computer. The target LED aligns when the PowerController V2 is successfully connected with the power supply [VCC/GND]. Open file „Standard configuration 3“ and pay attention to the appearing dialogue.

Put the case back on before going on with the connection.

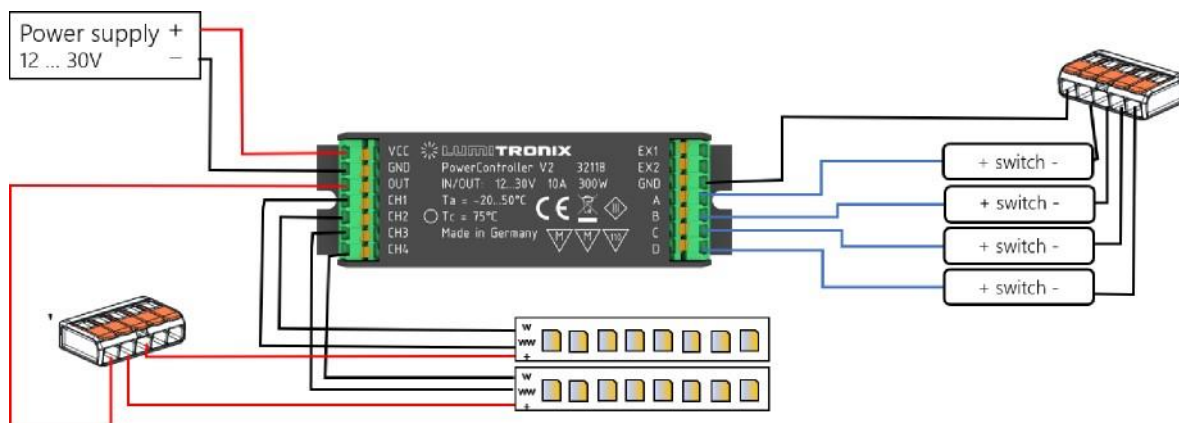
Connection

All 4 inputs [A - D] are connected with the switches' positive leads.

The switches' negative leads are merged on the GND input using the terminal [article number 33736 on www.lumitronix.com/en_gb/].

The outputs CH1 and CH3 are each connected with the warm white leads of the Tunable White LED modules. The cold white leads are connected with the outputs CH2 and CH4. Using the terminal, the positive leads of the LED modules are merged on „OUT“.

The operating voltage is fed in via „GND“ and „VCC“.



Functionality

The LED modules can be turned on and off by briefly pressing the switches on the inputs A or B. When held down for a longer time, the Tunable White LED modules will be dimmed. Long pressure on the switches on the inputs C or D allows to change the LED modules' colour temperature from warm white to cold white or the other way round.

STANDARD CONIGURATION 4

Input: 2 x potentiometer (100 k Ω), 2 x switch
 Output: 2 x LED module Tunable White

Flashing

Before putting the device into service, take off the case and plug on the programming adapter [article number 38832 on www.leds.shop].

Connect the PowerController V2 with your computer via a USB-C cable [article number 32035].

The flasher-LED aligns as soon as the PowerController V2 is connected with the computer. The target LED aligns when the PowerController V2 is successfully connected with the power supply [VCC/GND]. Open file „Standard configuration 4“ and pay attention to the appearing dialogue.

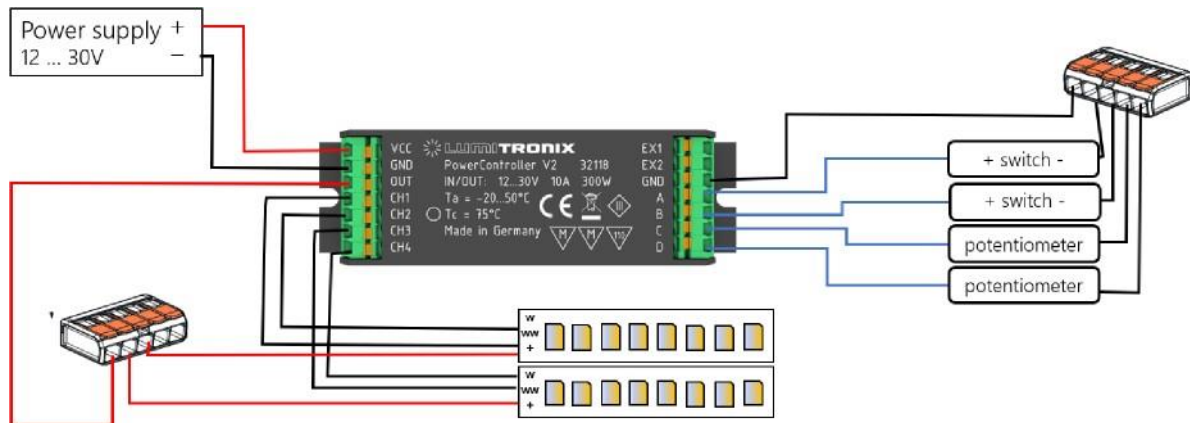
Put the case back on before going on with the connection.

Connection

Inputs A and B are each connected with the switches' positive leads. Inputs C and D are connected with the positive leads of the two potentiometers.

The negative leads of the switches and potentiometers are merged using the terminal [article number 33736 on www.lumitronix.com/en_gb/] on the GND input.

Outputs CH1 and CH3 are each connected with the warm white lead of the Tunable White LED modules. The cold white leads of the LED modules are connected with the outputs CH2 and CH4. Using the terminal, the positive leads of the LED modules are merged on „OUT“. The operating voltage is fed in via „GND“ and „VCC“.



Functionality

The LED modules can be turned on and off by briefly pressing the switches on the inputs A or B. When held down for a longer time, the Tunable White LED modules will be dimmed. Using the potentiometers on C and D, the colour temperature of the LED modules can be changed from warm white to cold white or the other way round.

STANDARD CONFIGURATION 5

Input: 2 x potentiometer (100 k Ω), 2 x switch
 Output: 2 x LED module Tunable White

Flashing

Before putting the device into service, take off the case and plug on the programming adapter [article number 38832 on www.leds.shop].

Connect the PowerController V2 with your computer via a USB-C cable [article number 32035].

The flasher-LED aligns as soon as the PowerController V2 is connected with the computer. The target LED aligns when the PowerController V2 is successfully connected with the power supply [VCC/GND]. Open file „Standard configuration 0“ and pay attention to the appearing dialogue.

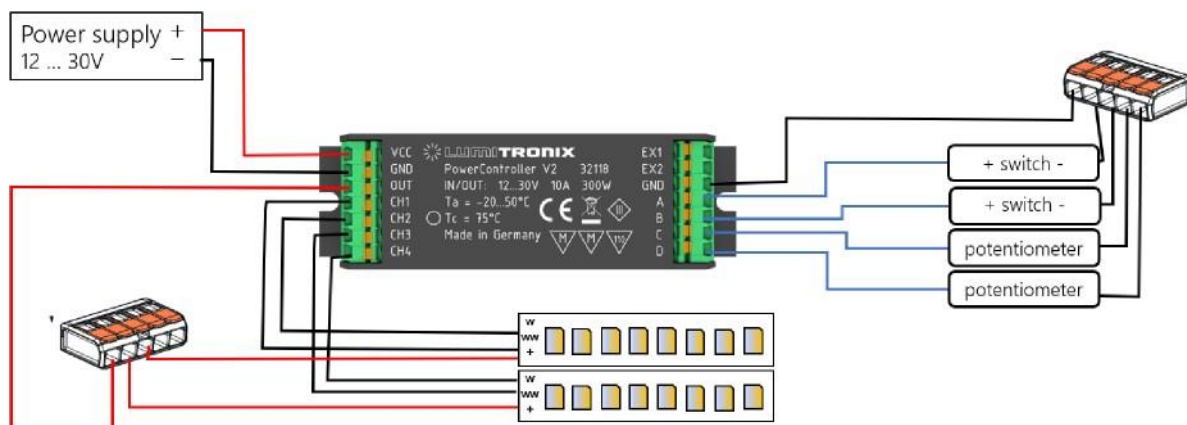
Put the case back on before going on with the connection.

Connection

Inputs A and B are each connected with the switches' positive leads. Inputs C and D are connected with the positive leads of the two potentiometers.

The negative leads of the switches and potentiometers are merged using the terminal [article number 33736 on www.lumitronix.com/en_gb/] on the GND input.

Outputs CH1 and CH3 are each connected with the warm white leads of the Tunable White LED modules. The cold white leads of the LED modules are connected with the outputs CH2 and CH4. Using the terminal, the positive leads of the LED modules are merged on „OUT“. The operating voltage is fed in via „GND“ and „VCC“.



Functionality

The LED modules can be turned on and off by briefly pressing the switches on the inputs A or B. Using the potentiometers on C and D the Tunable White LED modules can be dimmed from 0 — 100%, while the colour temperature changes on the basis of our Dim2Warm mode at the same time from warm white to cold white and the other way round.

STANDARD CONFIGURATION 6

Input: 2 x potentiometer (100 kΩ), 2 x switch
Output: 1 x LED module RGBW

Flashing

Before putting the device into service, take off the case and plug on the programming adapter [article number 38832 on www.leds.shop].

Connect the PowerController V2 with your computer via a USB-C cable [article number 32035].

The flasher-LED aligns as soon as the PowerController V2 is connected with the computer. The target LED aligns when the PowerController V2 is successfully connected with the power supply [VCC/GND]. Open file „Standard configuration 6“ and pay attention to the appearing dialogue.

Put the case back on before going on with the connection.

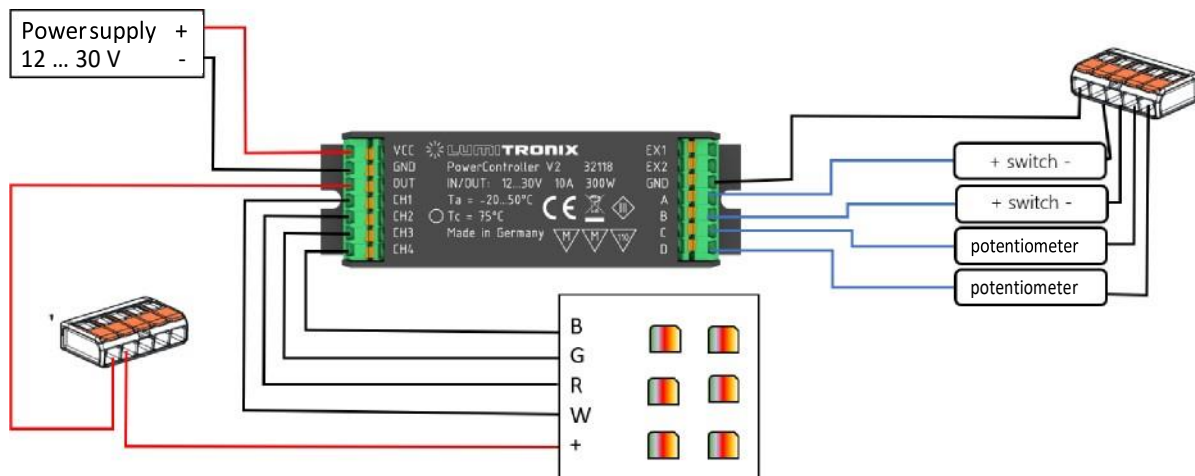
Connection

Inputs A and B are each connected with the switches' positive leads.

Inputs C and D are connected with the positive leads of the two potentiometers. The negative leads of the switches and potentiometers are merged using the terminal [article number 33736 on www.lumitronix.com/en_gb/] on the GND input.

All inputs [CH1 — CH4] are each connected with the appropriate RGBW modules' colour leads. The white lead is connected with output CH1, the red lead with output CH2, as well as the green lead with output CH3 and the blue lead with CH4.

Using the terminal, the positive lead of the RGBW LED module is connected with „OUT“. The operating voltage is fed in via „GND“ and „VCC“.



Functionality

The RGBW LED module can be turned on and off by briefly pressing the switches on the inputs A. By pressing the switch on input B for a longer time, a colour change can be generated where the RGBW LED module cycles through all light colours as long as the switch is actuated. Using the potentiometer on input D, the light colour can be changed between red, green, blue and white lighting. The potentiometer on input C enables to dim the light from 0 — 100 %.

SAFETY INSTRUCTIONS

The LED-Modules and all its components must not be mechanically stressed. Avoid excessive stress e. g. by screws or strong bending.

When installing the module [including power supply] all relevant electrical and safety standards must be considered.

Make sure to apply ESD precautions when handling the modules.

- The components on the modules must not be mechanical stressed.
- The copper traces on the modules must not be damaged or disrupted at any time.

Our modules do not contain any protection against overload, over temperature or short circuits unless otherwise noted. For safe and reliable operation of the modules an electronical stabilized power supply with built in protection must be used. When using a power supply that's not sold by us make sure that the following precautions are ensured by the power supply:

MINIMUM REQUIREMENTS FOR POWER SUPPLIES

Short circuit protection • overload protection • over temperature protection

- The installation of LED modules [including power supply] has to be done by a certified electrician following all electrical and safety standards.

IF YOU HAVE ANY QUESTIONS WE WOULD BE PLEASED TO HELP

LUMITRONIX® is your partner in light emitting diodes, LED products and light measurement.

LUMITRONIX® LED-Technik GmbH
Brunnenstr. 14
72379 Hechingen

LED Shop: <http://www.leds.de>
B2B: <https://b2b.lumitronix.com/en/>
E-Mail: b2b@leds.de

Hotline: +49 (0) 7471 / 96014-0
Fax: +49 (0) 7471 / 96014-99

VAT ID: DE 814318271
Local Court Stuttgart
HRB 421019 12.04.05

Copying and distribution of this document and utilization and communication of its contents are strictly prohibited unless expressly authorized.

Offenders will be liable for damages. All rights in the event of patent, utility model or design patent. Technical modifications and errors excepted.



made in germany