

# ANP101-54P-264-1950-DA

Class 2 LED Power Supply



## Features and Applications:

- Class 2 DC Output
- Meet Class II - Double Insulated Standard
- Active PFC (Power Factor Corrected)
- Built for Indoor Dry Applications
- Built-in EMI Filter for FCC B compliance
- Short and Over-Temperature Protection
- Dimming Control: 0-10V(10%-100%) or DALI(0%-100%)
- Comply with DALI standards (IEC62386)

All specifications are typical at nominal input, full load, at 25 °C unless otherwise stated.

## Electrical Specs

### INPUT

Input Voltage Range	200 - 264Vac
Rating Input Voltage Range	220 - 240Vac
DC	280 - 373DC
Frequency	0/47 - 63Hz
Input Current	Max. 0.7A @ 230Vac / 50Hz, full load
Inrush Current	6A @ 264Vac input/ 50Hz, full load
Efficiency	88% typical @ full load and 240Vac
Power Factor	≥0.95@full load and 240Vac
THD	<20%@full load and 240Vac
Leakage Current	0.5mA max.

### OUTPUT

Output Voltage	See Table1
Max Output Current	See Table1
Line Regulation	<5%
Load Regulation	<5%
Output Power	100W Max.
Short Circuit Protection	Auto Recovery
OCP protection	<110% Iout and Auto Recovery
Start-up Time	< 1 Sec @ 230Vac and full load
Option	
Dimming Control:	DALI(0%-100%) 0-10V(10%-100%)

## General

Isolation Voltage	3.0KV AC, AC-DC
Weight	TBD
Warranty Info	3 years
MTBF	100,000 Hours at 25°C
Size	310*30*21 mm

## Environmental

Ambient Operating Temp	-20°C to +50°C full load
Ambient Storage Temp	-40°C to +85°C
Max. Case Temp (Tcase)	+95°C full load
Relative Humidity	10% to 95% non-condensing
Cooling	Free air convection
MTBF	100,000 Hrs at 25°C
Ingress Protection:	IP20
RoHS	Compliant



## Safety Certifications

ENEC EN60950,EN60598



CE EN55024,EN55022,EN61000



## EMC & Surge

Conducted Emissions	EN55015, FCC part 15 level B
Radiated Emissions	EN55015, FCC part 15 level B
Surge Protection	EN61000-4-5, level 3 2KV L/N to PE; 1KV L-N

**Amperor Inc.**  
11320 Neeshaw Dr.,  
Houston, TX 77065  
1-281-807-3320  
<http://www.amperor.com>

**Amperor & Associates**  
Unit 5, Kyle Business Park, Cunninghame Road  
Irvine KA12 8JJ Scotland U.K  
44-(0)-1294-276096  
<http://www.amperorassociates.co.uk>

**Intertek Corp, an Amperor Company**  
4th, Fl, Far East World Centre  
Hsin Tai Wu Road, Hsin-Chih, Taipei  
Taiwan R.O.C  
886-2-2698-2239

# ANP101-54P-264-1950-DA

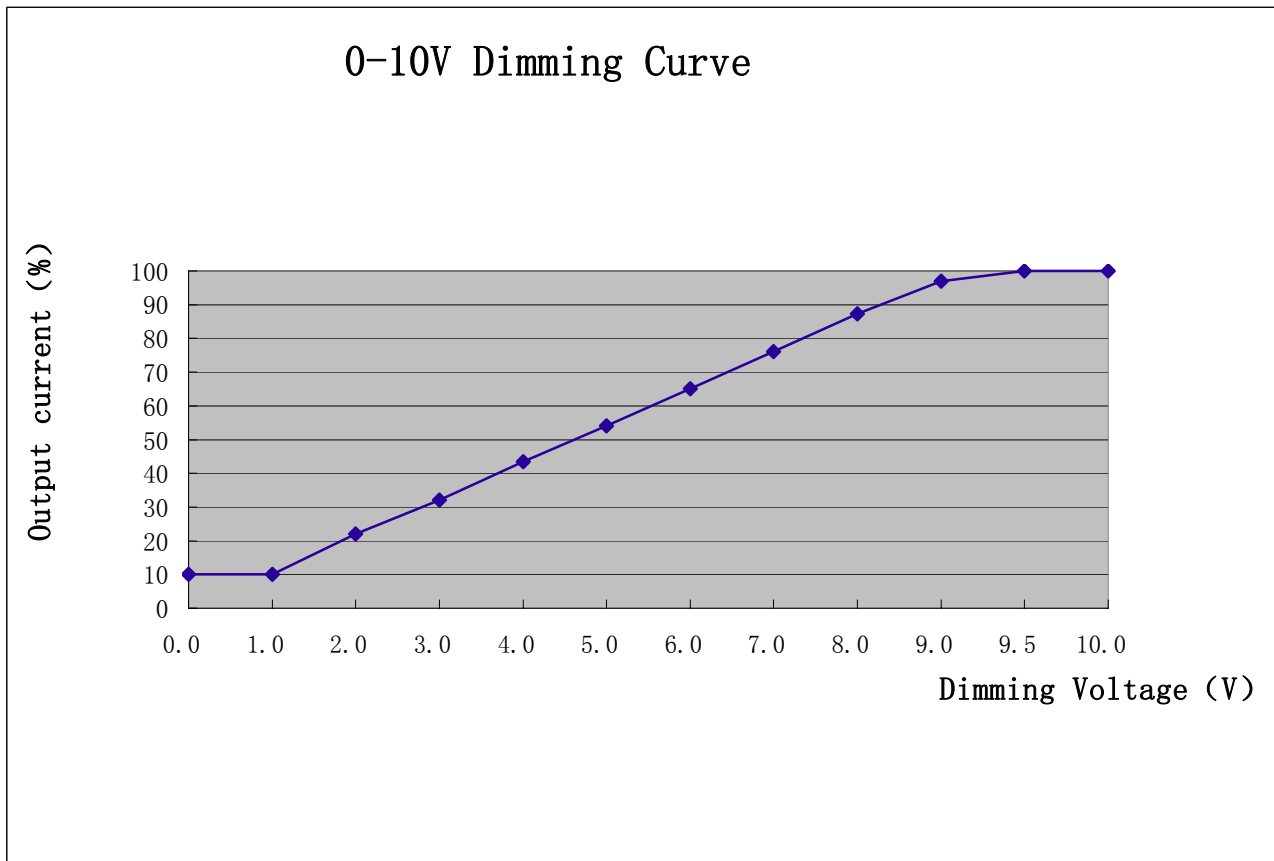
Class 2 LED Power Supply



Table1: ANP101-XXP Model Output Specifications

Model	Output Voltage (Max)	Output Voltage Range(V)	# of Channels	Max Load current (mA)	Max Output Current Range(A)	Max. Output Power
ANP101-54P-264-1950-DA	54V	30-54	1	1950	+/-5%	100W

## 0-10V Dimming Curve Graph



Amperor Inc.  
11320 Neeshaw Dr.,  
Houston, TX 77065  
1-281-807-3320  
<http://www.amperor.com>

Amperor & Associates  
Unit 5, Kyle Business Park, Cunninghame Road  
Irvine KA12 8JJ Scotland U.K  
44-(0)-1294-276096  
<http://www.amperorassociates.co.uk>

Intertek Corp, an Amperor Company  
4th, Fl, Far East World Centre  
Hsin Tai Wu Road, Hsin-Chih, Taipei  
Taiwan R.O.C  
886-2-2698-2239

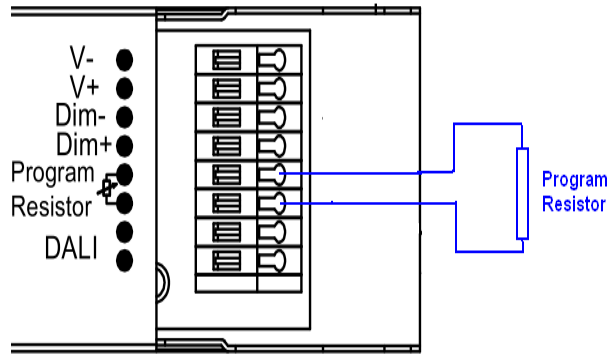
# ANP101-54P-264-1950-DA

Class 2 LED Power Supply

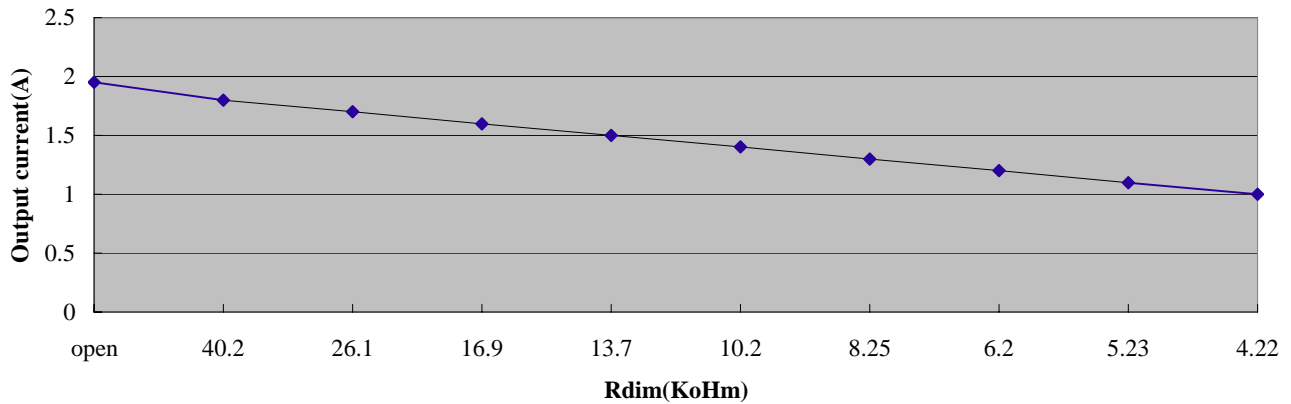


## Program Resistor Vs Output Current

Iout(A)	Program Resistor(KOHM)
1.95	open
1.8	40.2
1.7	26.1
1.6	16.9
1.5	13.7
1.4	10.2
1.3	8.25
1.2	6.2
1.1	5.23
1	4.22



## Program Resistor Vs Iout Curve



Amperor Inc.  
11320 Neeshaw Dr.,  
Houston, TX 77065  
1-281-807-3320  
<http://www.amperor.com>

Amperor & Associates  
Unit 5, Kyle Business Park, Cunninghame Road  
Irvine KA12 8JJ Scotland U.K  
44-(0)-1294-276096  
<http://www.amperorassociates.co.uk>

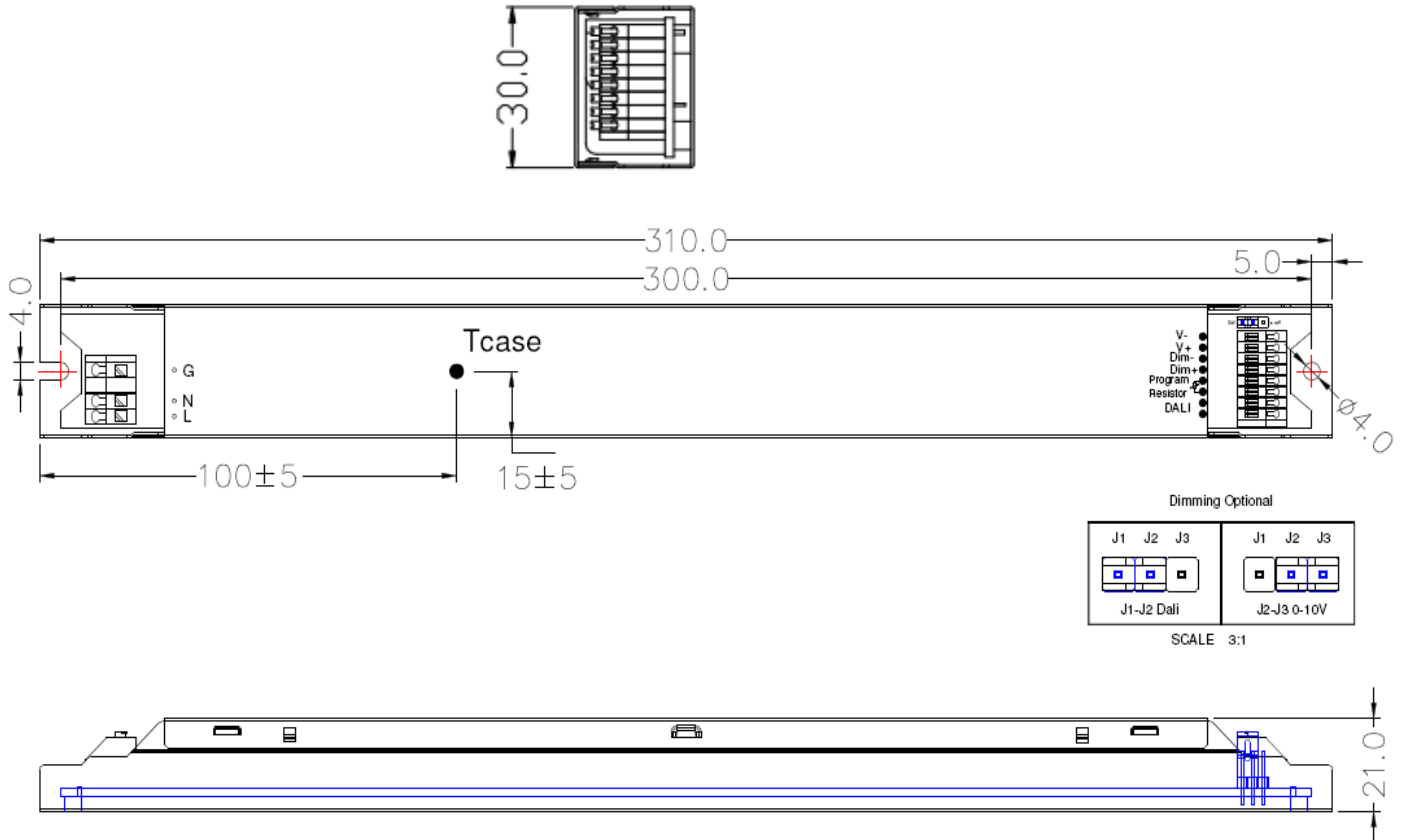
Intertek Corp, an Amperor Company  
4th, Fl, Far East World Centre  
Hsin Tai Wu Road, Hsin-Chih, Taipei  
Taiwan R.O.C  
886-2-2698-2239

# ANP101-54P-264-1950-DA

Class 2 LED Power Supply



## Mechanical Information



Tcase:Max.Case Temperature.(case temperature measured point)  
Other All Tolerance:±0.5  
UNIT:mm

**Amperor Inc.**  
11320 Neeshaw Dr.,  
Houston, TX 77065  
1-281-807-3320  
<http://www.amperor.com>

**Amperor & Associates**  
Unit 5, Kyle Business Park, Cunninghame Road  
Irvine KA12 8JJ Scotland U.K  
44-(0)-1294-276096  
<http://www.amperorassociates.co.uk>

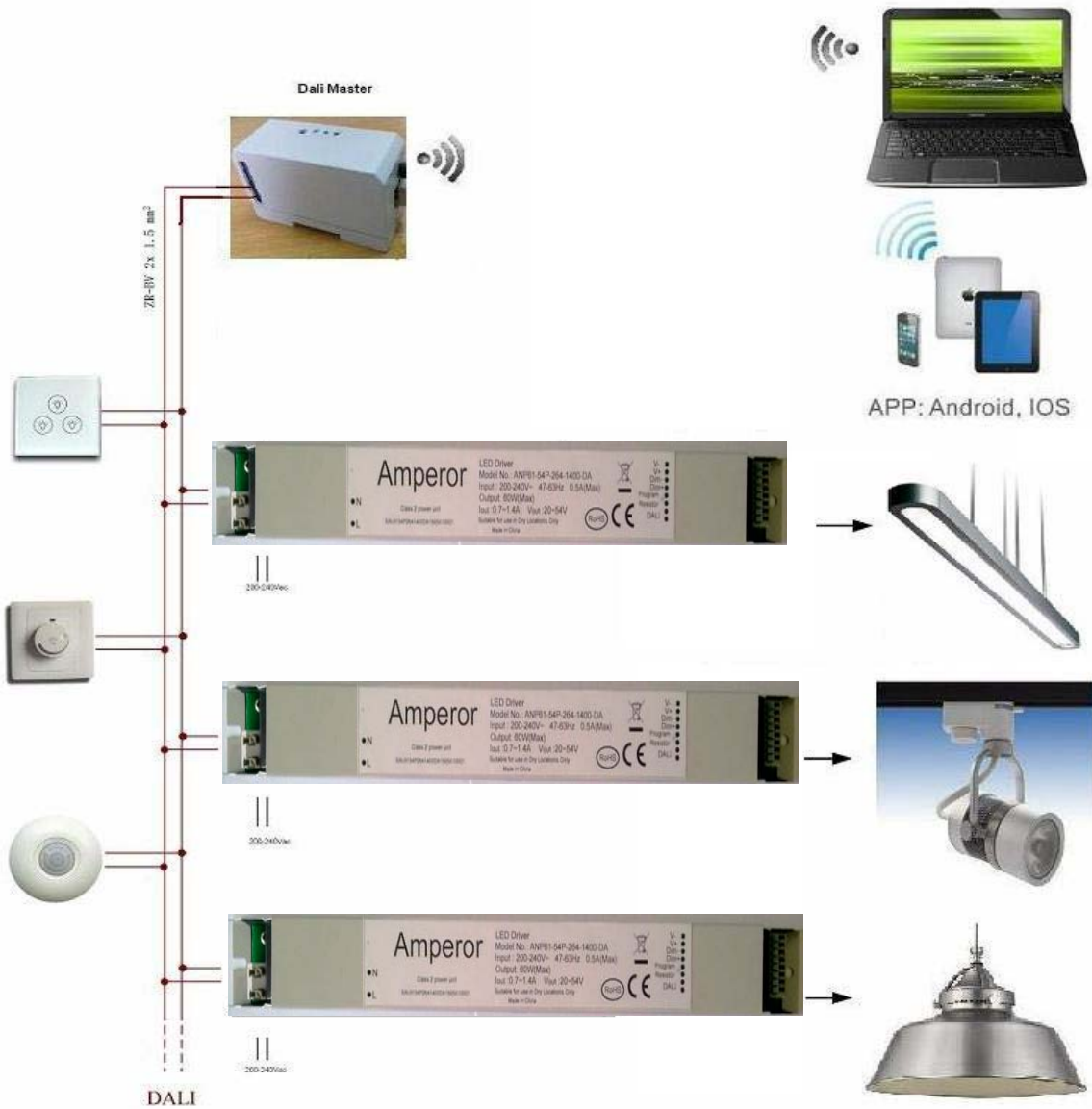
**Intertek Corp, an Amperor Company**  
4th, Fl, Far East World Centre  
Hsin Tai Wu Road, Hsin-Chih, Taipei  
Taiwan R.O.C  
886-2-2698-2239

# ANP101-54P-264-1950-DA

Class 2 LED Power Supply



## Connection Diagram



Amperor Inc.  
11320 Neeshaw Dr.,  
Houston, TX 77065  
1-281-807-3320  
<http://www.amperor.com>

Amperor & Associates  
Unit 5, Kyle Business Park, Cunninghame Road  
Irvine KA12 8JJ Scotland U.K  
44-(0)-1294-276096  
<http://www.amperorassociates.co.uk>

Intertek Corp, an Amperor Company  
4th, Fl, Far East World Centre  
Hsin Tai Wu Road, Hsin-Chih, Taipei  
Taiwan R.O.C  
886-2-2698-2239